



HANDLING AND STORAGE

SERVING THE FOOD INDUSTRY SINCE 1951

UTILITY CARTS

Omcans Utility Carts are sturdily constructed to endure tough everyday handling. Finished for easy cleaning. Great for supermarkets and various food service operations. Shipped knock-down.

*Middle shelf is optional.
2 Sizes Available.*



WARRANTY



SHIPPED ON PALLET



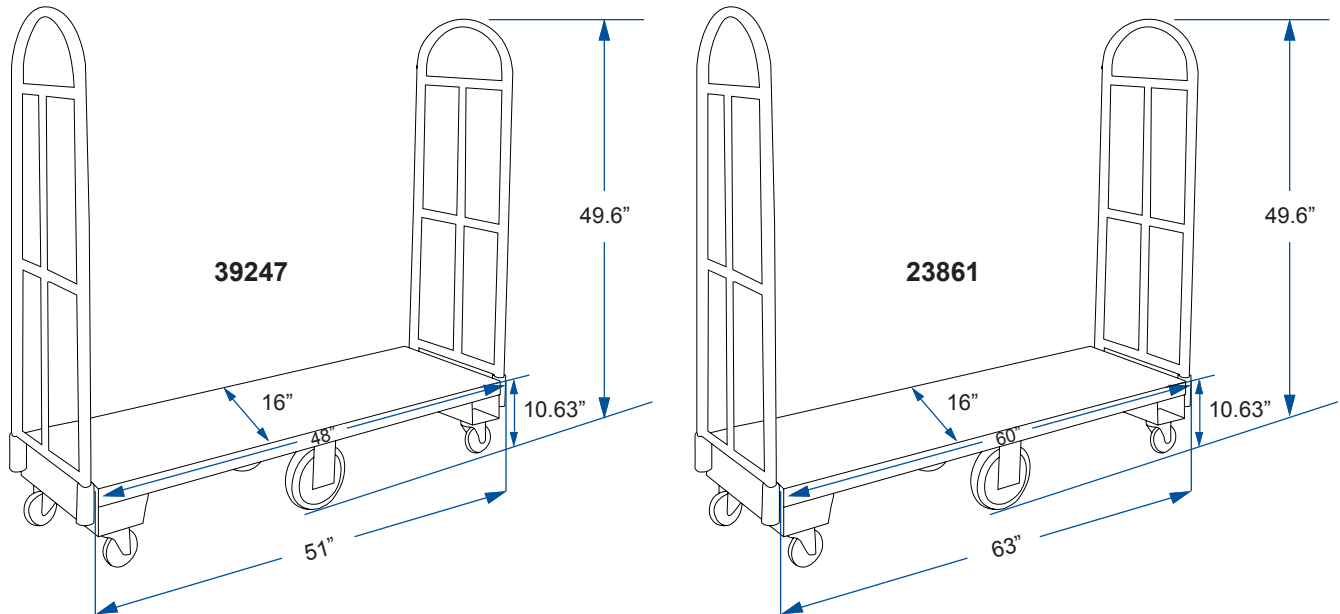
Authorized Dealer

HANDLING AND STORAGE

UTILITY CARTS 39247 / 23861



TECHNICAL DRAWING AND DIMENSIONS



TECHNICAL SPECIFICATIONS

| ITEM | 39247 | 23861 |
|------------------|--|--|
| DESCRIPTION | Utility Cart Steel 16" x 48" | Utility Cart Steel 16" x 60" |
| LOAD CAPACITY | 2000 lbs. / 907 kg. | 2000 lbs. / 907 kg. |
| WEIGHT | 80 lbs. / 36 kg. | 92 lbs. / 41 kg. |
| GROSS WEIGHT | 162 lbs. / 73 kg. | 186 lbs. / 84 kg. |
| DIMENSIONS (DWH) | 51" x 16" x 49.6" / 1295.4 x 406 x 1260 mm | 63" x 16" x 49.6" / 1600 x 406 x 1260 mm |
| GROSS DIMENSIONS | 53" x 17" x 15" / 1346 x 432 x 381 mm | 72" x 17" x 15" / 1829 x 432 x 381 mm |

OPTIONAL SHELVES

| ITEM | 39248 | 13119 |
|------------------|--|--|
| DESCRIPTION | Shelf for Item 39247 | Shelf for Item 23861 |
| LOAD CAPACITY | 154 lbs. / 70 kg. | 154 lbs. / 70 kg. |
| WEIGHT | 21 lbs. / 9.5 kg. | 27 lbs. / 12 kg. |
| GROSS WEIGHT | 136 lbs. / 62 kg. | 176 lbs. / 80 kg. |
| DIMENSIONS | 48" x 16" / 1219 x 406 mm | 60" x 16" / 1524 x 406 mm |
| GROSS DIMENSIONS | 48" x 16" x 0.80" / 1219 x 406 x 20 mm | 60" x 16" x 0.80" / 1524 x 406 x 20 mm |



OMCAN INC.

Telephone: 1-800-465-0234
 Fax: (905) 607-0234
 Email: sales@omcan.com
 Website: www.omcan.com



60

Follow us to keep up to date with the latest news and offers



2015.E.O.E